

the Proclaimer

July 2015

Volume 28 Issue 7



Inside this issue:

The Pastor's Heart Reflections	2
Wild Adventures Weds	3
Adventure City	3
Bowling	3
Mulligan's	3
Kid's Night Out	3
Birthday Open House	3
Youth Events	4
Junior Events	4
Men's Conference	5
Thank You	5
Just for Kids	6
Calendar	7
Singles' Ministry	8
TFB Academy	8
Smile Awhile	9
TFB Global Outreach	10
Reflections (cont.)	11
Important Notice	11
Tithes & Offerings	11
Prayer Requests	11
Backpack Ministry	12

*Combined Service
& BBQ
Sunday, July 5, 10:15 a.m.*



We will have one combined Worship Service at 10:15 a.m. to celebrate our freedom here in the U.S. and to thank the Lord for His sovereignty. After the service, we will have our annual holiday BBQ consisting of hamburgers, hot dogs, potato salad, baked beans, chips and soda for the whole family for only \$5 per person/\$20 per family. There will be no Sunday school that day, but there will be Children's church for nursery through 2nd grade.

**Vacation Bible School
July 6-10, 6~8:30 p.m.**

Minion Factory



**Whom
do
you
serve?**

Know the Master!!!

Know the Mission!!!

This is for all pre-schoolers (potty-trained) through 5th graders.

\$10 Suggested donation

Invite your friends to join in for a fun time!

Helpers and workers needed. If you can help with this outreach, call Karla, 310/922-5652.

Proclaimers are also available for viewing and printing on-line: www.tfbclife.org

From the Pastor's Heart



TIME TO GO FISHING

I've never been much of a fisherman. I don't have the patience for it. I remember taking up fishing for a while when I was a youth pastor in Placerville, California. One man in our church even tried to teach me how to fly fish. That was not pretty. Anyway, after a few months of fishing with few bites and even fewer fish, I gave up. For me it was the lack of action.

In the New Testament there is an occasion when Jesus goes fishing—and very successfully, I might add. Here is the text:

“When He had finished speaking, He said to Simon, ‘Put out into deep water, and let down

the nets for a catch.’ Simon answered, ‘Master, we've worked hard all night and haven't caught anything. But because you say so, I will let down the nets.’ When they had done so, they caught such a large number of fish that their nets began to break” (Luke 5:4-6, NIV).

Then Jesus wraps up this occasion by telling them, *“from now on you will fish for people.”*

Let me suggest a couple insights from this.

One, filling your nets requires you to change from “fishing the way I always have” to “fishing by God’s leading.” Peter had to be willing to break the rules of fishing in order to go fishing with Jesus. Are you willing to break your ‘rules’ in order to go fishing with Jesus? Also the catch was clearly a miracle. When you go fishing for people with Jesus that is exactly what is needed most.

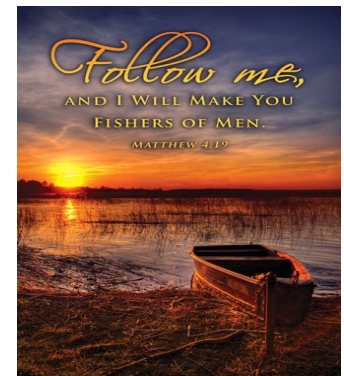
Two, filling your nets requires you to become a fisherman. Although Jesus provided the fish,

it was imperative that the disciples throw out the net. Are you throwing out a net to catch people for Christ?

The few times I went fly fishing with the gentlemen in our church, he had special spots he would always go to. I want to suggest that the special fishing holes God has provided for you to go fishing for people are those individuals that God has already placed in your life that you are connected to—people you interact with and rub shoulders with on a frequent basis. That is your special fishing hole.

Let me encourage you to go fishing this summer.

Pastor Charlie



Reflections

by Pastor Rog

Dear Church Family,

I love God’s Word. It is holy, practical, energizing, strengthening. . . *personal*. Our Lord shares not only His thoughts and ways with us but also His *love*. His Word shapes us, disciplines us, and yes, *protects* us. Our God is a wonderful heavenly Father—always personally involved in our lives.

Though some of you may not have had a father who cherished you, through faith in the Lord Jesus Christ, *you* have a Heavenly Father Who is always close by to *help* you and *minister* to you. Yes, what a wonderful God our Heavenly Father is to us.

The book of Psalms has always been special to me, for in it I find the attributes of our



Heavenly Father vividly displayed. Psalm 34:17-18 tells us:

“The righteous cry out, and the Lord hears them;

WILD ADVENTURE WEDNESDAYS

(For Kids Kindergarten ~ 5th)

Adventure City

July 1

9:30 a.m. ~ 4 p.m.

The cost is \$20 and includes lunch. Bring a hat, water bottle, and a small backpack.



Bowling

at Palos Verdes Bowl

July 22

10 a.m. ~ 3 p.m.

The cost is \$10 and includes lunch at McDonald's and yogurt at Yogurtland.

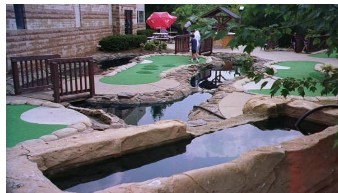
Note to Parents: If you go to www.kidsbowlfree.com and sign up your children, they will get 2 free games each week day all summer! So do it before 7/22, and save the cost of bowling.



Mulligan's

July 29

10 a.m. ~ 4 p.m.



The cost is \$20 for access to all attractions. Bring extra money for lunch.

Sign up in the patio for any of the above events.

Kids' Nite Out

a.k.a

Parents' Date Night

Friday, July 17, 6-9 p.m.

Kids (infants through 5th grade) will have dinner and a movie, while the parents get an evening to themselves (after viewing a brief couples' devotional video, if they'd like). This is a once-a-month event on the 3rd Friday of each month.

*Birthday Party
Open House
for Claudine Schultz
July 18, 2:30 p.m.*

Save the date 'cause you are invited to celebrate her 85th with her. Join us in the annex anytime between 2:30 and 4:00 p.m. RSVP to Becky Brunckhorst by July 12.

No gifts, please!



*TGI Fridays
in July ~ 7 p.m.*

**July 6
Karaoke**

**July 17
Lip Sync Battle**

**July 31
Talent Show**



*Beacon Light Mission
Thursday, July 9*

Meet at the church at 6:00 p.m. We will go to the mission and minister to the homeless by helping to serve dinner.



*Summer Camps at
Thousand Pines*

Jr. High ~ July 5-10, \$359

High School ~ July 19-24, \$359

Not only is summer camp a ton of fun with old and new friends, but it's also a great "adrenaline shot to the heart" to get your walk with God back on track. With a slew of pastors giving the messages, there will be a teaching style that fits everyone. And, don't forget the worship time with hundreds of other young Christians excited about singing to God together.

Check with Daniel to see if there are still openings.

YOUTH PRAYER



every
3rd Saturday

Saturday, July 16, 10~11 a.m.

*Coming Soon ~ College Group
beginning in August!*

SUMMER CAMP FOR JUNIORS



**LightSeekers Junior Summer Camp
at Oak Glen
July 13-17, \$295.00**



Come enjoy scrumptious all-you-can-eat food, dozens of outdoor and indoor activities, including Paintball, Miniature Golf, Swimming, Playground, Hiking, Fire Circles, Horseshoes, Volleyball (outdoor and indoor), Basketball, and much more, as well as great Bible study. "Reflecting the Son" is our theme.

All 3rd through 6th graders are welcome to sign up for summer camp.

Anyone who would like to help with scholarships for those who can't afford it but want to go, please mark your envelope, Camp Scholarship Fund.

FORGED

JAMES 1:2-4

Men's Conference September 18-20

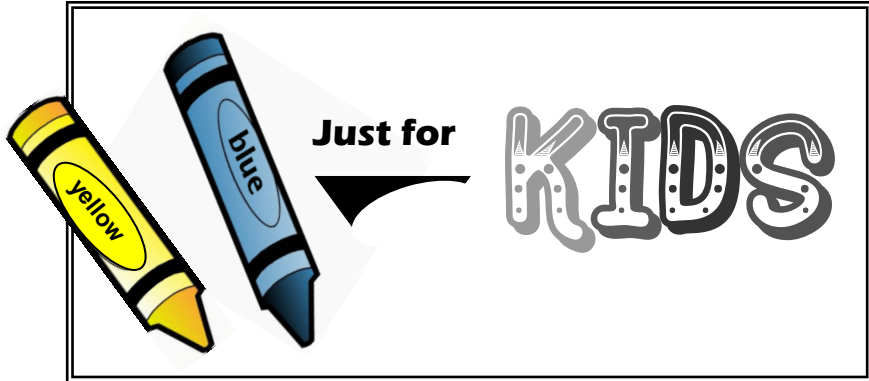
Wanna get away? Thousand Pines Men's Retreat is the place for you! During this weekend, we will not: overload your schedule, count your calories, or ask you to mow the lawn. What we will do is provide you with gourmet meals boasting choice meats, opportunities for spiritual growth and fellowship with godly men, and an open schedule to just let you be. So grab a couple friends or your whole church and we'll provide the bacon!

Things To Do: •Paintball — \$5 •Confidence Course
•Mountain Bikes •Dirt Bike Ride - Bring your own gear
•Motorcycle Ride to Big Bear - Bring your own gear
•Frisbee Golf •Rec Equipment •Malt Shop •Big Oak Café
•Arte Shoppe

Cost: \$164 with a \$50 deposit due by August 9. The remaining balance is due by September 6. Sign up in the patio or call JJ, 310/324-6583.



It takes many hands to keep our church maintained and looking good. Your Facilities Management Team would like to thank each one of you who volunteered for your hard work at last month's All-church Work Day. Because of you, many projects were completed and the facility looks beautiful.










UNDER THE SEA

This summer, consider God's marvelous creation under the sea.



Directions: Write the animal names on the blanks. Then use the circled letters (they may not be in the right order) to create a new word from Psalm 148:7, NIV. Finally, match the words to their numbered blanks below.

 ○○_____○ >>>> _____₂ d
 _____○ ○_____ >>>> _____₄ t
 _____○ m _____○ _____ >>>> g _____₆
 ○ _____ g ○ ○ _____ >>>> p _____₁ e
 _____○ _____ >>>> _____₅ ou
 _____○ n _____ >>>> _____₃ r m
 (s) ○ ○ _____○ _____ >>>> c _____₇ ure _____

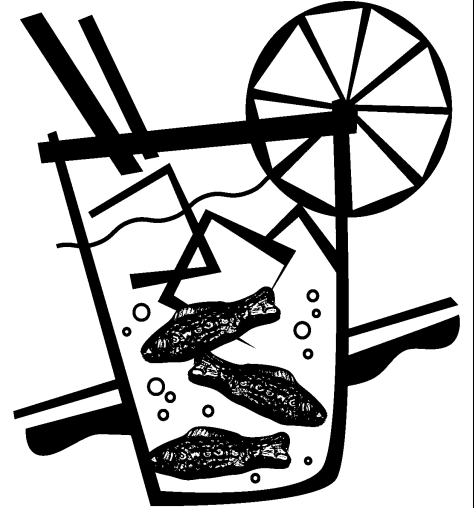
_____₁ the _____₂ _____₃ the _____₄ ,
 _____₅ _____₆ sea _____₇ .

PSALM 148:7, NIV

Answers: lobster > Lord, sea horse > earth, hermit crab > great, stingray > praise, jellyfish > you, clownfish > from, sea star > creatures
 Praise the LORD from the earth, you great sea creatures. Psalm 148:7, NIV

OCEAN WATER

After a busy summer day, relax in the shade with this cool drink.



What you need:

- 3 Tablespoons water
- 3 Tablespoons sugar
- 1 teaspoon coconut extract
- 3 drops blue food coloring
- 24 oz. (2 cans) lemon-lime soda
- Clear cup or glass
- Ice
- Swedish Fish candy

What you do:

1. In a small microwave-safe bowl, combine the water and sugar. Heat for 1 minute. Stir until sugar is dissolved.
2. Pour the mixture into a pitcher. Add coconut extract, food coloring and soda. Stir.
3. Pour into cup. Add ice and fish. Enjoy!

Recurring Weekly Events:

SUN	MON	TUE	WED	THU	FRI	SAT
5 10:15a Combined service and BBQ Jr. High to camp 2p Sing @ Rylwood 6p Worship/Witness	6 6p VBS	7 6p VBS	8 6p VBS	9 6p VBS 7p Beacon Light Mission (HS also Involved)	10 Jr. High back 6p VBS Wrap-up w/ ice cream social 7p Young Marrieds @ Duvall's	11 6:30p Singles' Dinner Out
12 5:20p Prayer Gathering	13 Juniors leave for camp	14	15	16 7p Contemporary Vocal Practice	17 2:30p Juniors back 6p Kids' Night Out 7p HS Lip Sync Battle	18 10a HS-Prayer 2:30p Birthday Party for Claudine Schultz
19 HS Leaves for Camp 5:20p Prayer Gathering	20 7p Finance Team	21 6p Ministry Teams: GO, Fellowship, Outreach, Worship, Disc. Dev. & FMT 7p Deacon/ess	22 10a Wild Adventure to Bowling	23	24 2:30p HS back 7p Young Marrieds @ Duvall's	25 8a Karate Test 6:30p Singles' Game Night
26 5:20p Prayer Gathering	27	28	29 10a Wild Adventure to Mulligan's	30	31 Anx. reserved all day: Loaves/Fishes 7p HS Talent Show	

Upcoming August Events:

- 8/5 ~ Wild Adventure to Seaside Lagoon
- 8/7 ~ College/Young Adult Class, 7 p.m.
- 8/8 ~ Men's Breakfast, 9 a.m.
- 8/12 ~ Wild Adventure, Minions Movie
- 8/17 ~ Kids' Night Out, 6-9 p.m.
- 8/21 ~ College/Young Adult Class, 7 p.m.



2015

Sunday

Worship Services:

9:15 a.m., 11 a.m. & 6 p.m.
Adult Sunday School, 9:15 & 11 a.m.
Children's Church, 9:15 a.m.
Patio Fellowship, 10:30 a.m.
Children & Youth S.S., 11 a.m.

[For all of the above on 7/5, check calendar on left; no Sunday School, only Children's Church; Worship & Witness with Pastor Rog will be held at 6 p.m.]

Covenant Children's S.S., 11 a.m.
Covenant (Korean) Worship, 12:45 p.m.
Covenant (Korean) Fellowship, 2 p.m.

Monday

Ladies' Prayer, 10:30 a.m.
King's Family Karate, 6:30 p.m.

Tuesday

High School Revive, 7 p.m.
[except 7/21]

Wednesday

Jr. High QUEST, 6:45 p.m.
Small Group Bible Study, 6:45 p.m.
Choir Practice, 7 p.m.
Covenant (Korean) Bible Study, 8 p.m.
Open Volleyball, 8:15 p.m.
[except 7/8]

Thursday

H.S. Band Practice, 7 p.m.

Friday

Ladies meet @ Denny's for Bkfst., 9 a.m.

Saturday

Covenant (Korean) Prayer, 6 a.m.



Enjoy Time with the Singles' Fellowship

Please remember that dinner night and game night are great opportunities to invite friends, whether they attend TFB, go to another church, or don't go to church at all.



Dinner Out ~ Saturday, July 11, at 6:30 p.m. Meet at Lupita's, 234 S. Pacific Coast Highway, Redondo Beach. Any ?'s, call Sue Domingo, 310/534-0995.



Game Night ~ Saturday, July 25, 6:30 p.m. ~ Meet at Brenda-Jean's house, 57857 Ravenspur Drive, #3, RPV. Bring games and snacks to share. Please call her to RSVP, 310/901-0816.



"We Are the Fellowship of the Holy Ones"

by Laura Springer, M.Div., Th.M

I like Baptist red punch. It was a staple at the potlucks I attended as I child and for me church fellowship is often pictured with cups of red punch. Maybe it's the same for you. But fellowship is not potlucks and Baptist red punch. It is more than something we do or attend. Fellowship is something we are.

"The church . . . is a community of siblings who depend on the one holy God for life."

The church is the fellowship of holy ones. She is the community of the children of the Father, of siblings who participate in one another's lives and partner in the Father's work. She is the community of those made holy by the blood of Jesus and called to be holy by this same Jesus.

The church is a community of siblings who depend on the one holy God for life. We live our lives as an offering of respect for our Father (1 Peter 1:17-19). He is the Judge who is to be feared. He is the Savior who

gave the blood of his precious Son to give us life and holiness.

The church is a community of siblings who share responsibility as individuals and as community for our holy life together. We commit ourselves to personal holiness and our daily choice to love flows from that commitment. Love for one another continues the commitment by encouraging holiness (1 Peter 4:8; 4:9, 10; 5:5, 14).

So, what about Baptist red punch and potlucks? They give us an opportunity to get to know one another and enjoy one another's company. And this is a good thing. But such opportunities can be so much more. Potlucks, patio time, small groups, and worship gatherings can be times to practice being the fellowship and to love one another toward holiness.

"Having purified your souls by your obedience to the truth for a sincere brotherly love, love one another earnestly from a pure heart" (1 Peter 1:22 ESV).

To learn more about the New Testament images of the church see Minear, P. S. (2004). *Images of the Church in the New Testament*. Louisville, Ky: Westminster John Knox Press.



Smile Awhile



PARAPROSDOKIANS (Winston Churchill loved them) are figures of speech in which the latter part of a sentence or phrase is surprising or unexpected and frequently humorous:

1. Where there's a will, I want to be in it.
2. The last thing I want to do is hurt you. But it's still on my list.
3. Since light travels faster than sound, some people appear bright until you hear them speak.
4. If I agreed with you, we'd both be wrong.
5. We never really grow up; we only learn how to act in public.
6. War does not determine who is right - only who is left..
7. Knowledge is knowing a tomato is a fruit. Wisdom is not putting it in a fruit salad.
8. They begin the evening news with 'Good Evening,' then proceed to tell you why it isn't.
9. To steal ideas from one person is plagiarism. To steal from many is research.
10. I thought I wanted a career. Turns out I just wanted paychecks.

—copied

Freedom under God

Our status of dominion [over creation] derives from God's delegated authority. We do not exist as autonomous persons at liberty to do as we please. Our privilege of dominion does not mean freedom from God; it means freedom under God.

Our commission to be subrulers under God carries with it enormous responsibilities. ... He intends for us to rise above the rest of the created order and to participate rationally and responsibly in his divine purposes.

—Kenneth Cain Kinghorn, *Christ Can Make You Fully Human*

Communing with God

After Apollo 11 landed on the moon on July 20, 1969, pilot Buzz Aldrin requested via radio that people pause to give thanks for the achievement in their own way. When his broadcast ended, Aldrin read a verse from the Gospel of John and took Communion, which his church had sent to space with him.

“It was interesting for me to think: the very first liquid ever poured on the moon, and the very first food eaten there, were the Communion elements,” the astronaut said. “At the time, I could think of no better way to acknowledge the enormity of the Apollo 11 experience than by giving thanks to God.”





**From Daniel & Allison Felton
with Christian Surfers Federation**

We as Christians overflow with a good theme because we trust in the name of our Lord and His Name alone! And we serve a God that gives everything to us that we need to know Him, obey Him, serve Him and spread the fame of His Name far and wide! How good it is to be a child of God and call God "Father." Thank you Lord Jesus, we boast in You and You alone. All glory be to Your Holy Name.

Morro Bay Praise!

I can't express to you how thankful, privileged, humbled and honored I was to lead the first official CSF Surfers' Bible Study in a home in Los Osos (just south of Morro Bay) on May 28. (We had previously met at a restaurant.) It has been a long road (literally and figuratively) of thousands of miles driven, hours surfed, many meetings, hours of prayer during driving and some hard decisions along the way. Michael Gaines and I committed to this leading last September and 9 months later all of our prayers were answered.

Also in attendance besides Aaron (the host and an amazing man of God) was N. N moved to Morro Bay because of the Coast Guard and started surfing and hanging out with Aaron. Aaron has had the privilege to model a godly life to N, with N subsequently accepting Jesus Christ as Savior and Lord. **It confirmed in me yet again that this ministry is not and has never been about numbers. What we do as fishers of men is what Jesus commanded in Matthew 28:18-20.**

And so my heart overflows with thanksgiving knowing that in Aaron and now N I have partners in Los Osos that share this same passion. Please keep this mission to the surfers of Morro Bay/Cayucos/Los Osos/SLO in your prayers and Aaron and N as well. Thank you for partnering with me to make this possible. I am eternally grateful.

Ventura Praise!

The group just launched a new study of Matthew.

We also had a get together at the beach on Memorial Day and had a wonderful time.

It was so good to see our former Ventura chapter director Duane and Colleen and Ava.... Please keep them in your prayers as Colleen continues to have a battle with Lyme disease and it is taking its toll on the whole family. It is so hard to see the ones you love suffer so, isn't it?

Also keep Richard Shinn and Leah in prayer as they have called for us as a group to pray for new ideas and avenues to connect with surfers in our area. Thanks!

Also that day I was able to share with a man named Dave, a long time marine repairman and elderly surfer. He suffers from back and hip problems now. I shared Jesus but he didn't seem interested. Please pray that he repents of sin and believes on Jesus before it is too late and that Lord willing, we are able to connect with him again.

Oregon Praise!

[Another] Dave [leads] the Surfers' Bible Study [in Oregon]...and is currently ministering to a Christian surfing friend who succumbed to addiction and relapsed. Please keep Tim in your prayers and wisdom and strength for Dave as he seeks to help Tim.

[We are thankful] that Dave was able to keep his job and so is he, since more guys got laid off. Also, Dave and his wife Angela may be visiting Ventura this summer, pray that if it is the Lord's will that it would happen!



Ventura group at Hueneme Beach Memorial Day!

Other Prayer Requests: Good friend, Jeremy Madrazo, would like wisdom and open doors in the running of his Christian clothing company, *Pocket Bois*; unspoken for me [Daniel]; and my 20-30 year goal to see Surfers' Bible Studies/mission groups raised up all along the W. Coast from Oxnard to Alaska....

Reflections

Continued from p. 2

*He delivers them from all their troubles....
The Lord is close to the brokenhearted and
saves those who are crushed in spirit."*

At times, life weighs heavily upon us. We wonder, "What can we do?" "Who has the strength to help us? Praise His Name...our heavenly Father does! Aren't you glad? The psalmist certainly was, for from his personal experience, he tells us that when the *righteous* cry out, the Lord **hears**, *delivers* and *saves* those who are crushed in spirit. This lets us know that we can *depend* on Him.

As we move along in 2015, when daily living and all of its cares would overwhelm us, may we not try to carry these burdens alone. (The Lord never intended us to). Instead, may we cast them upon Him for **He cares for us** (1 Peter 5:7).

All that we need to do is humbly call out to Him in faith and allow Him to lead us according to His will. Please know this, He is there waiting for you to call upon Him! He listens for our cries and ministers to our needs. How thankful I am that we can entrust our lives to Him and His gracious care.

I, too, am calling out to Him,
Pastor Rog



IMPORTANT NOTICE

REMEMBER	
	No food or drink permitted in the Worship Center!



*TFB
Tithes and Offerings*

Thank you for giving approximately \$64,835 in the month of May.

Prayer Requests

Please pray for the following from our church family who have on-going needs:

- Della Andrew, Paul Ashcraft, Michael Banfield, Reba Belcher, Clara Carlson, Tom Cochran, Gloria Deering, Leah Douglas, Robin Fisher, George Fisk, Virgie Fletcher, Roger Garst, Joanne Gertz, Eugene/Mary Jacobsen, Joanne Jenkins, Helen Kessenich, Joan & Debbe Kindt, Mary Larsen, Doug Luden, Jane McKenzie, Joy Moore, Bill Morgan, Dave/Joy Pierson, Ralph Potter, Darlene Purdom, Penny Rahmeyer, Austin Rayner, Jean Rayner, Margaret Rentfrow, Barbara/Randy Rudé, Edna Hazel Ruth, Ralph Schatz, Mary Schultz, Gerri Stoodley, Norma Vinsonhaler, Jerrolyn Vitali, Tammie Wakefield, and Aggie Williams.



Backpacks and School Supplies for Needy Kids in Coordination with TUSD, Love INC, Salvation Army & New Challenge Ministries Due anytime before the end of July

Please be looking for school supplies on sale to help provide filled backpacks to needy children so that they can go back to school this fall with some new and fun school supplies. You can help by purchasing one or more backpacks and filling them with the following school supplies:

- 1½-2" notebook
- 1 pkg. lined paper (wide rule, elementary; college rule, grades 6-12)
- box of crayons
- 2 pens
- markers/colored pencils
- 1 pkg. #2 pencils
- pencil box/pouch
- pencil sharpener
- eraser(s)
- ruler
- 1 spiral notebook
- 2 glue sticks
- 3 pocket folders
- 3 highlighters

We have a few empty backpacks here at the church that you can purchase in the patio for \$10 and fill with the above items. Also, we have printed slips in the patio that you can use to attach to your backpacks to identify the age and gender that you bought for.

The Proclaimer is a monthly publication of the First Baptist Church of Torrance, California, located at 2118 West Carson Street (6 blocks east of Crenshaw). Sunday services: 9:15 a.m. Worship Gathering (Contemporary Service); 11:00 a.m. Blended Service (with Sunday School for all ages); and 6:00 p.m. Evening Service. Mid-week events for children and students: High School *Revive*; Jr. High *Quest*; and *TFBKidz* for children.

For more information, contact the church office: 310.328.5030 or info@fbclife.org or visit us on the web at www.fbclife.org